



FIRST CO.  
P.O. BOX 270969 - DALLAS, TEXAS 75227  
PH. (214) 388-5751 | FAX (214) 388-2255  
WWW.FIRSTCO.COM

# eco series

COOL-PAK™

## Single Package Vertical Unit

Straight Cool and Heat Pump

3/4 through 2.5 tons, up to 10 kW Electric Heat

**NEW 2.5 TON**

**11.0 EER!!**



The **ECO Series Cool-Pak** is a compact, through-the-wall single package vertical HVAC unit that delivers conditioned air from a single unit to multiple rooms. The **Cool-Pak** is available in straight cool or heat pump models. Having a small footprint allows the **ECO Series** to use a minimal amount of floor space. The **ECO Series** installs easily into a closet having an exterior wall. A standard wall mounted thermostat controls the unit. Applications for the **ECO Series** include:

- ✓ Hotels / Motels
- ✓ High rise apartments / Condominiums
- ✓ Assisted Living / Independent care facilities
- ✓ Student housing
- ✓ Manufactured / Modular buildings

## **STANDARD FEATURES:** (see pages 7,8 and 9 for further information)

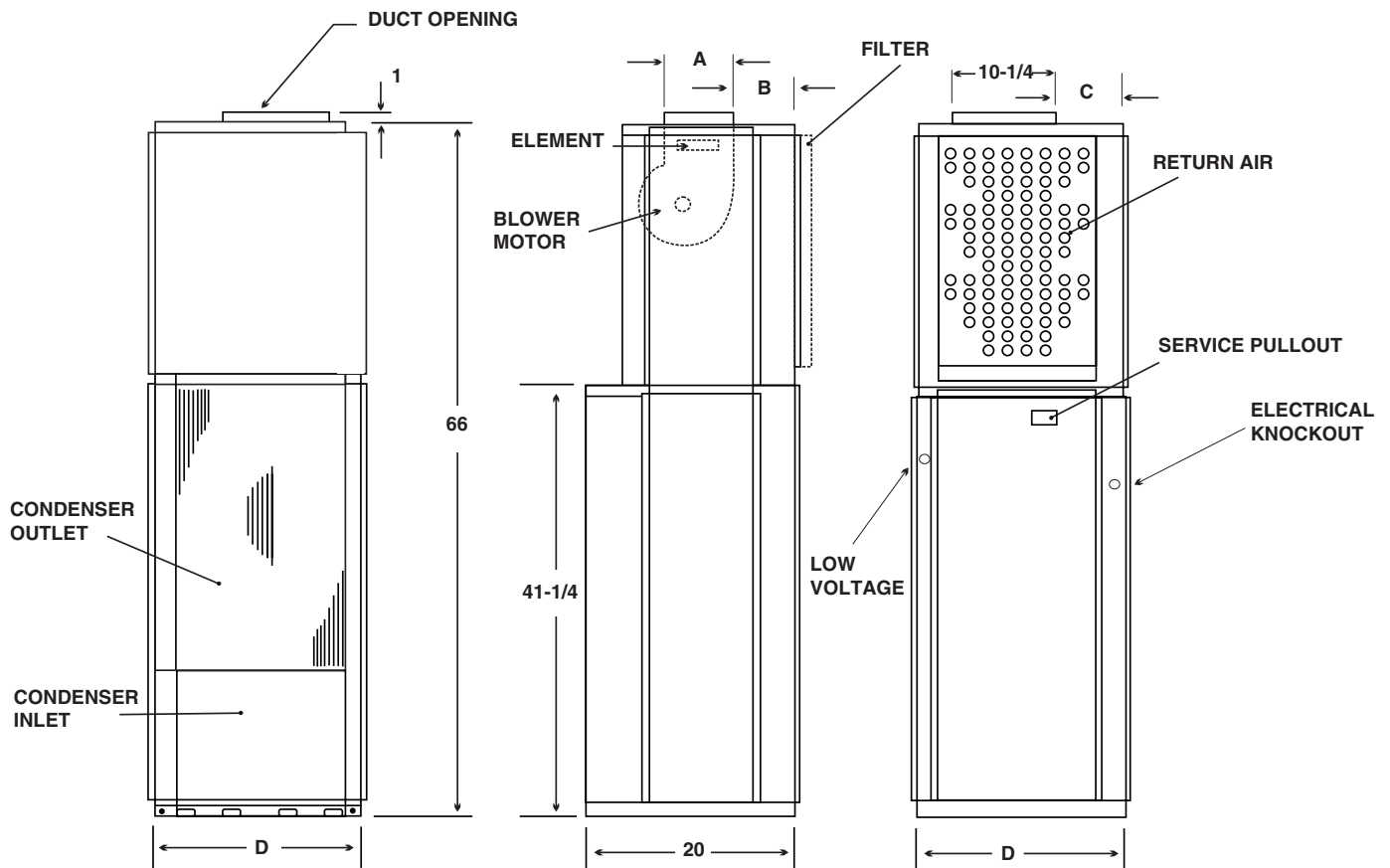
- Completely pre-charged with environmentally friendly R-410A refrigerant
- Easy access for in-place service of most components
- Multi-function micro-processor board that includes the following functions:
  - Evaporator coil low temperature protection
  - Low ambient lockout
  - ECM motor utilized on all models
  - Random restart
  - Compressor restart delay
  - Fan-off delay in the cooling mode
  - Low voltage fuse protection
- Service disconnect
- Completely insulated cabinet for sound attenuation and weather infiltration
- Adjustable fresh air damper
- No tool needed to replace the filter
- Weight-supporting, single piece wall sleeves (except side access sleeves) for various wall thicknesses from 5" to 20"
- Sleeves have primary condensate drain connection with secondary overflow to building exterior
- All sleeves are shipped with a weather guard
- Flush type exterior architectural grilles

## **OPTIONAL FEATURES:** (see page 14-15)

- Side access wall sleeves (rear access is standard)
- Custom painted exterior architectural grilles
- Hurricane grille / sleeve combinations
- Various louvered and non-louvered interior access panels
- Digital wall mount thermostats with high and low temperature limits
- **(NEW!) Insulation Kit** - Adds additional 5/8" insulation to three sides of the unit. (See pages 9 & 15)

# Eco Series

cooling or heat pump



	A	B	C	D	FILTER
<b>9,12,18</b>	6-1/2	6-1/8	6-5/8	20	18 x 24 x 1
<b>24,30</b>	10	2-1/2	8	26	24 x 24 x 1

In keeping with its policy of continuous progress and product improvement, First Co. reserves the right to make changes without notice. Maintenance for all First Co. products is available under "Product Maintenance" at [www.firstco.com](http://www.firstco.com).



# Eco Series

cooling or heat pump

BLOWER DATA - COOL-PAK (AC)									
UNIT MODEL	MOTOR SPEED CONN. (1)	CFM vs EXTERNAL STATIC PRESSURE							
		0.05	0.1	0.15	0.2	0.25	0.3	0.35	0.4
ECE09	HIGH	490	475	465	455	450	440	430	425
	MED (C)	390	380	370	360	350	340	330	320
	LOW (H)	320	310	300	290	280	270	260	250
ECE12	HIGH	500	485	475	465	460	450	445	440
	MED (C)	430	420	410	400	390	385	375	370
	LOW (H)	350	340	330	320	310	305	295	285
ECE18	TAP 3	705	695	685	675	670	660	650	635
	TAP 2 (C)	655	645	635	620	610	600	590	580
	TAP 1 (H)	565	550	540	530	515	505	490	480
ECE24	TAP 3	900	890	880	870	860	855	845	835
	TAP 2 (C)	820	810	800	790	780	770	760	750
	TAP 1 (H)	720	710	700	690	680	670	660	650
ECE30	TAP 3	910	900	895	890	885	880	875	870
	TAP 2 (C)	845	840	835	830	825	820	815	810
	TAP 1 (H)	740	730	725	720	715	710	700	690

BLOWER DATA - COOL-PAK (HP)									
UNIT MODEL	MOTOR SPEED CONN. (1)	CFM vs EXTERNAL STATIC PRESSURE							
		0.05	0.1	0.15	0.2	0.25	0.3	0.35	0.4
EHE09	HIGH	490	475	465	455	450	440	430	425
	MED (C)	390	380	370	360	350	340	330	320
	LOW (H)	320	310	300	290	280	270	260	250
EHE12	HIGH	500	485	475	465	460	450	445	440
	MED (C)	430	420	410	400	390	385	375	370
	LOW (H)	350	340	330	320	310	305	295	285
EHE18	TAP 3	705	695	685	675	670	660	650	635
	TAP 2 (C)	655	645	635	620	610	600	590	580
	TAP 1 (H)	565	550	540	530	515	505	490	480
EHE24	TAP 3	900	890	880	870	860	855	845	835
	TAP 2 (C)	820	810	800	790	780	770	760	750
	TAP 1 (H)	720	710	700	690	680	670	660	650
EHE30	TAP 3	910	900	895	890	885	880	875	870
	TAP 2 (C)	845	840	835	830	825	820	815	810
	TAP 1 (H)	740	730	725	720	715	710	700	690

COOLING / PERFORMANCE DATA		
UNIT MODEL	STANDARD RATING (1)	EER
	BTUH	
ECE092**A*	9200	11.0
ECE122**A*	11700	11.0
ECE182**A*	17600	11.0
ECE242**A*	22400	11.0
ECE302**A*	27800	11.0

- (1) Tested at 95°F DB/75°F WB outdoors and 80°F DB/67°F WB indoors.
- (2) Tested in accordance with AHRI Standard 390.

COOLING / PERFORMANCE DATA		
UNIT MODEL	STANDARD RATING (1)	EER
	BTUH	
EHE092**A*	9100	11.0
EHE122**A*	11200	11.0
EHE182**A*	16800	11.0
EHE242**A*	22200	11.0
EHE302**A*	27600	11.0

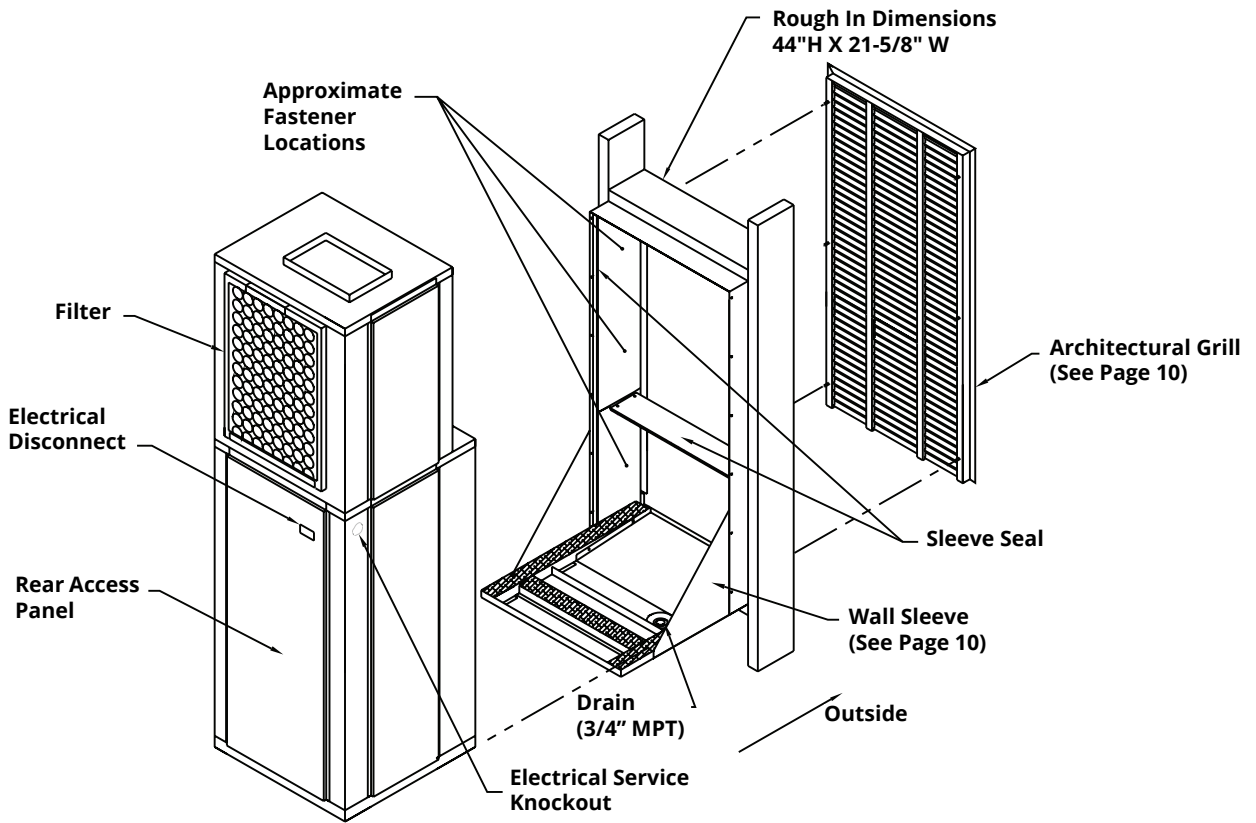
- (1) 95°F DB/75°F WB outdoor - 80°F DB/67°F WB indoor.
- (2) Tested in accordance with AHRI Standard 390.

HEATING / PERFORMANCE DATA (3)		
UNIT MODEL	STANDARD RATING (1)	COP (47°)
	BTUH	
EHE092**A*	8800	3.5
EHE122**A*	10700	3.3
EHE182**A*	15700	3.5
EHE242**A*	20800	3.5
EHE302**A*	25200	3.3

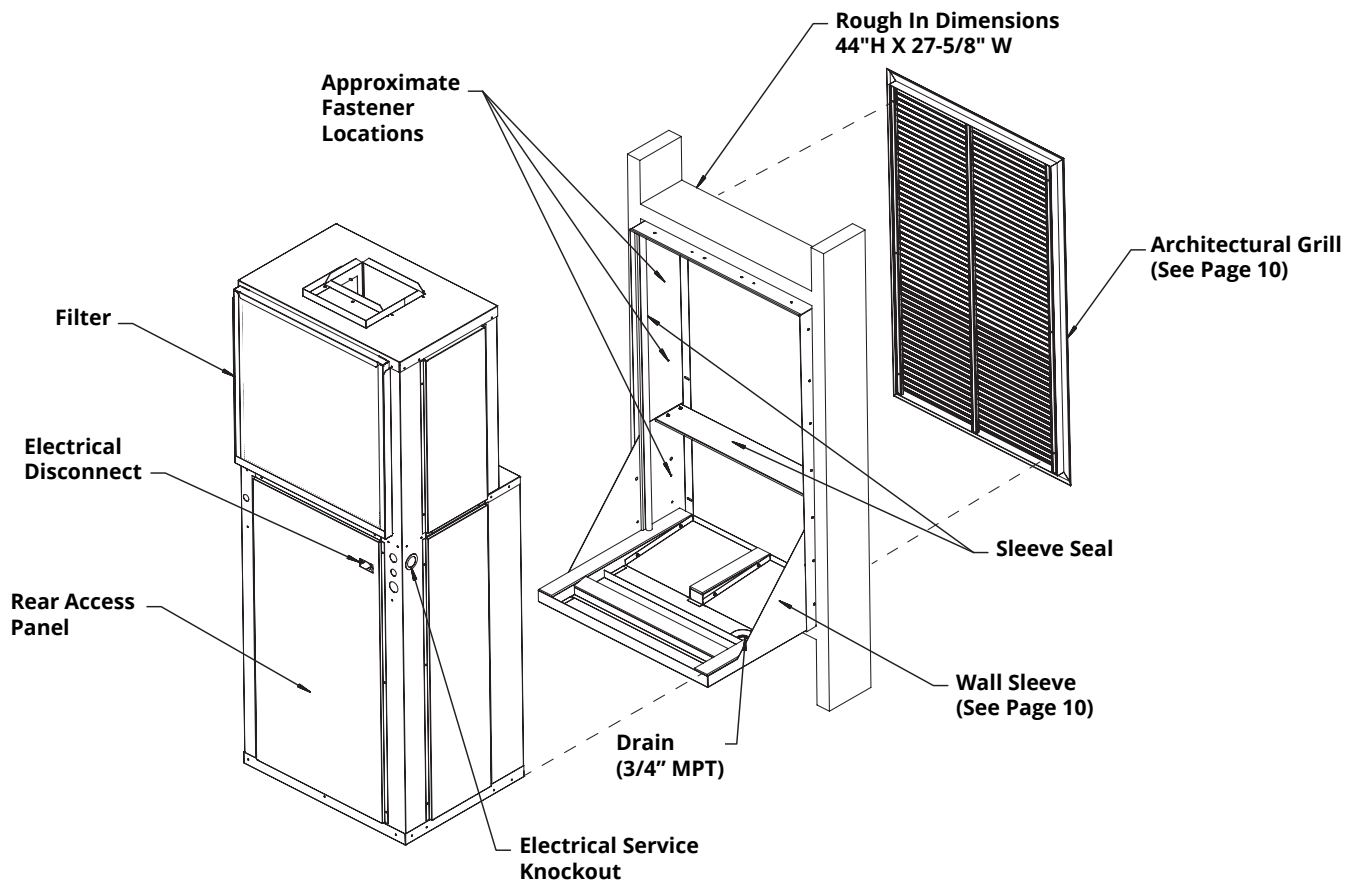
- (1) 47°F DB/43°F WB outdoor, 70°F DB/60°F WB indoor.

Model Number	Electric Heat Data						Blower Data		Condenser Data				Min. Circuit Ampacity		Max. Circuit Protection	
	KW		BTUH		Total Heating Amps*		Evaporator Motor		Compressor		Condenser Motor		208V	240V	208V	240V
	240V	208V	240V	208V	240V	208V	FLA	HP	RLA	LRA	FLA	HP				
EC E09200A00A000F	0	0	0	0	0	0	2.3	1/4	4.4	25	2.3	1/4	10	10	15	15
ECE09202A00A000F	2	1.5	6800	5100	10.6	9.5	2.3	1/4	4.4	25	2.3	1/4	12	13	15	15
ECE09203A00A000F	3	2.25	10200	7700	14.8	13.1	2.3	1/4	4.4	25	2.3	1/4	16	19	20	20
ECE09204A00A000F	4	3	13600	10200	19	16.7	2.3	1/4	4.4	25	2.3	1/4	21	24	25	25
ECE12200A00A000F	0	0	0	0	0	0	2.3	1/4	4.7	25	2.3	1/4	10	10	15	15
ECE12202A00A000F	2	1.5	6800	5100	10.6	9.5	2.3	1/4	4.7	25	2.3	1/4	12	13	15	15
ECE12203A00A000F	3	2.25	10200	7700	14.8	13.1	2.3	1/4	4.7	25	2.3	1/4	16	19	20	20
ECE12204A00A000F	4	3	13600	10200	19	16.7	2.3	1/4	4.7	25	2.3	1/4	21	24	25	25
ECE12205A00A000F	4.5	3.38	15400	11500	21.1	18.6	2.3	1/4	4.7	25	2.3	1/4	23	26	25	30
ECE18200A00A000F	0	0	0	0	0	0	2.8	1/3	9	56.3	2.3	1/4	16	16	25	25
ECE18202A00A000F	2	1.5	6800	5100	11.1	10	2.8	1/3	9	56.3	2.3	1/4	16	16	25	25
ECE18203A00A000F	3	2.25	10200	7700	15.3	13.6	2.8	1/3	9	56.3	2.3	1/4	17	19	25	25
ECE18204A00A000F	4	3	13600	10200	19.5	17.2	2.8	1/3	9	56.3	2.3	1/4	22	24	25	25
ECE18205A00A000F	4.5	3.38	15400	11500	21.6	19.1	2.8	1/3	9	56.3	2.3	1/4	24	27	25	30
ECE18206A00A000F	6	4.5	20500	15400	27.8	24.4	2.8	1/3	9	56.3	2.3	1/4	31	35	35	35
ECE18208A00A000F	8	6	27300	20500	36.1	31.6	2.8	1/3	9	56.3	2.3	1/4	40	45	40	45
ECE18210A00A000F	9	6.75	30700	23000	40.3	35.3	2.8	1/3	9	56.3	2.3	1/4	44	50	45	50
ECE24200A00B000F	0	0	0	0	0	0	2.8	1/3	10.9	62.9	2.3	1/4	19	19	25	25
ECE24203A00B000F	3	2.25	10200	7700	15.3	13.6	2.8	1/3	10.9	62.9	2.3	1/4	19	19	25	25
ECE24204A00B000F	4	3	13600	10200	19.5	17.2	2.8	1/3	10.9	62.9	2.3	1/4	22	24	25	25
ECE24205A00B000F	4.5	3.38	15400	11500	21.6	19.1	2.8	1/3	10.9	62.9	2.3	1/4	24	27	25	30
ECE24206A00B000F	6	4.5	20500	15400	27.8	24.4	2.8	1/3	10.9	62.9	2.3	1/4	31	35	35	35
ECE24208A00B000F	8	6	27300	20500	36.1	31.6	2.8	1/3	10.9	62.9	2.3	1/4	40	45	40	45
ECE24210A00B000F	9	6.75	30700	23000	40.3	35.3	2.8	1/3	10.9	62.9	2.3	1/4	44	50	45	50
ECE30200A00B000F	0	0	0	0	0	0	4.1	1/2	12.8	67.8	1.9	1/3	22	22	30	30
ECE30203A00B000F	3	2.25	10200	7700	16.6	14.9	4.1	1/2	12.8	67.8	1.9	1/3	22	22	30	30
ECE30204A00B000F	4	3	13600	10200	20.8	18.5	4.1	1/2	12.8	67.8	1.9	1/3	23	26	30	30
ECE30205A00B000F	4.5	3.38	15400	11500	22.9	20.4	4.1	1/2	12.8	67.8	1.9	1/3	26	29	30	30
ECE30206A00B000F	6	4.5	20500	15400	29.1	25.7	4.1	1/2	12.8	67.8	1.9	1/3	32	36	35	40
ECE30208A00B000F	8	6	27300	20500	37.4	32.9	4.1	1/2	12.8	67.8	1.9	1/3	41	47	45	50
ECE30210A00B000F	9	6.75	30700	23000	41.6	36.6	4.1	1/2	12.8	67.8	1.9	1/3	46	52	50	60
EHE09202A00A000F	2	1.5	6800	5100	10.6	9.5	2.3	1/4	4.4	25	2.3	1/4	12	13	15	15
EHE09203A00A000F	3	2.25	10200	7700	14.8	13.1	2.3	1/4	4.4	25	2.3	1/4	16	19	20	20
EHE09204A00A000F	4	3	13600	10200	19	16.7	2.3	1/4	4.4	25	2.3	1/4	21	24	25	25
EHE12202A00A000F	2	1.5	6800	5100	10.6	9.5	2.3	1/4	4.7	25	2.3	1/4	12	13	15	15
EHE12203A00A000F	3	2.25	10200	7700	14.8	13.1	2.3	1/4	4.7	25	2.3	1/4	16	19	20	20
EHE12204A00A000F	4	3	13600	10200	19	16.7	2.3	1/4	4.7	25	2.3	1/4	21	24	25	25
EHE12205A00A000F	4.5	3.38	15400	11500	21.1	18.6	2.3	1/4	4.7	25	2.3	1/4	23	26	25	30
EHE18202A00A000F	2	1.5	6800	5100	11.1	10	2.8	1/3	9	56.3	2.3	1/4	16	16	25	25
EHE18203A00A000F	3	2.25	10200	7700	15.3	13.6	2.8	1/3	9	56.3	2.3	1/4	17	19	25	25
EHE18204A00A000F	4	3	13600	10200	19.5	17.2	2.8	1/3	9	56.3	2.3	1/4	22	24	25	25
EHE18205A00A000F	4.5	3.38	15400	11500	21.6	19.1	2.8	1/3	9	56.3	2.3	1/4	24	27	25	30
EHE18206A00A000F	6	4.5	20500	15400	27.8	24.4	2.8	1/3	9	56.3	2.3	1/4	31	35	35	35
EHE18208A00A000F	8	6	27300	20500	36.1	31.6	2.8	1/3	9	56.3	2.3	1/4	40	45	40	45
EHE18210A00A000F	9	6.75	30700	23000	40.3	35.3	2.8	1/3	9	56.3	2.3	1/4	44	50	45	50
EHE24203A00B000F	3	2.25	10200	7700	15.3	13.6	2.8	1/3	10.9	62.9	2.3	1/4	19	19	25	25
EHE24204A00B000F	4	3	13600	10200	19.5	17.2	2.8	1/3	10.9	62.9	2.3	1/4	22	24	25	25
EHE24205A00B000F	4.5	3.38	15400	11500	21.6	19.1	2.8	1/3	10.9	62.9	2.3	1/4	24	27	25	30
EHE24206A00B000F	6	4.5	20500	15400	27.8	24.4	2.8	1/3	10.9	62.9	2.3	1/4	31	35	35	35
EHE24208A00B000F	8	6	27300	20500	36.1	31.6	2.8	1/3	10.9	62.9	2.3	1/4	40	45	40	45
EHE24210A00B000F	9	6.75	30700	23000	40.3	35.3	2.8	1/3	10.9	62.9	2.3	1/4	44	50	45	50
EHE30203A00B000F	3	2.25	10200	7700	16.6	14.9	4.1	1/2	12.8	67.8	1.9	1/3	22	22	30	30
EHE30204A00B000F	4	3	13600	10200	20.8	18.5	4.1	1/2	12.8	67.8	1.9	1/3	23	26	30	30
EHE30205A00B000F	4.5	3.38	15400	11500	22.9	20.4	4.1	1/2	12.8	67.8	1.9	1/3	26	29	30	30
EHE30206A00B000F	6	4.5	20500	15400	29.1	25.7	4.1	1/2	12.8	67.8	1.9	1/3	32	36	35	40
EHE30208A00B000F	8	6	27300	20500	37.4	32.9	4.1	1/2	12.8	67.8	1.9	1/3	41	47	45	50
EHE30210A00B000F	9	6.75	30700	23000	41.6	36.6	4.1	1/2	12.8	67.8	1.9	1/3	46	52	50	60

\* Includes Evap Fan Amps



**FIGURE 1 - General Assembly for Standard Sleeve and Grill**



**FIGURE 1A - General Assembly for Large Sleeve and Grill size 24**

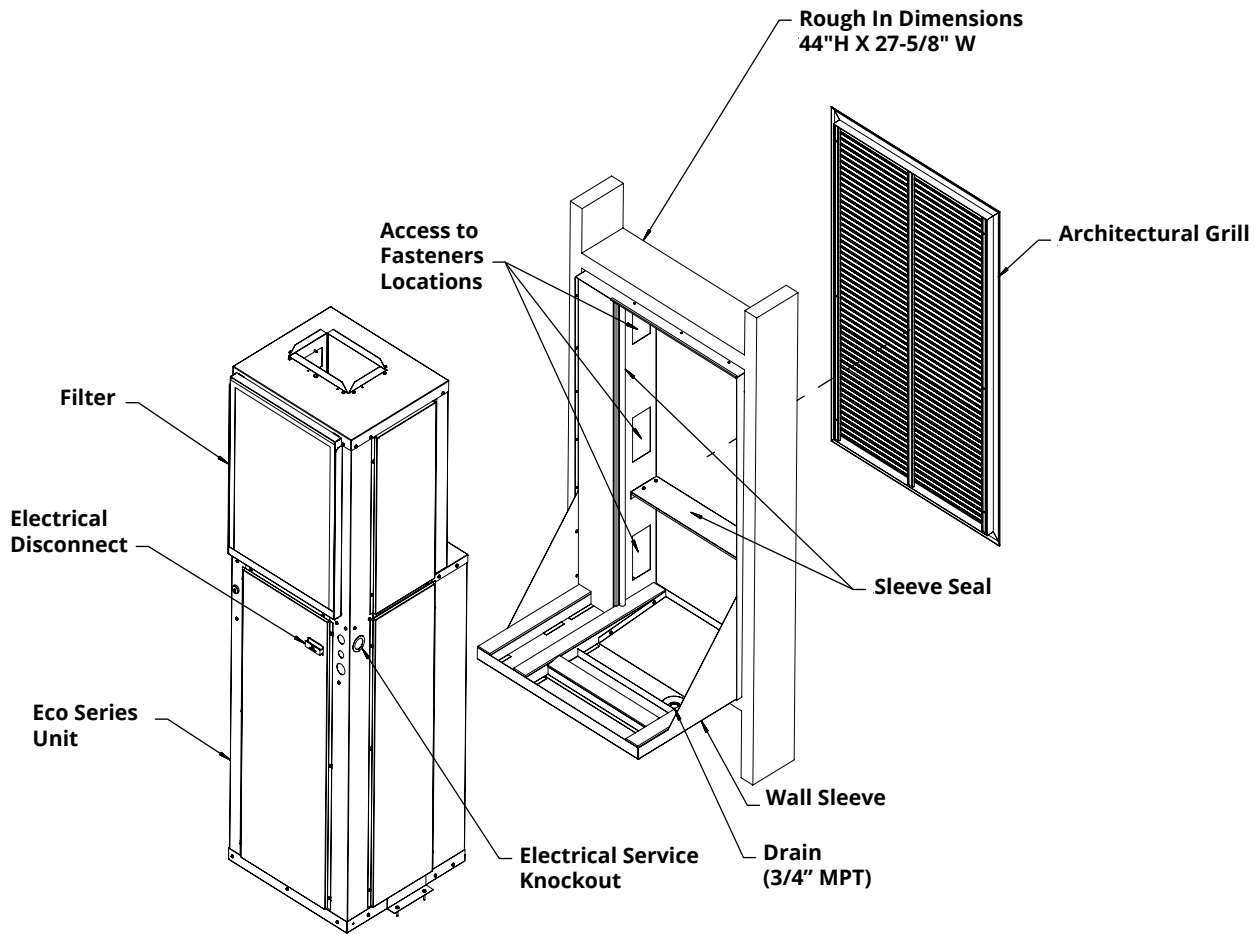


FIGURE 1B - General Assembly for Large Sleeve and Grill for 09-18 sizes with block off

## FEATURES AND BENEFITS

### 1. Solid State Circuit Board - Incorporates the following control features:

- **Evaporator coil low temperature protection** – During the cooling mode, should the evaporator coil experience either a low temperature condition that could result in ice build up on the coil or a reduced air flow situation, a temperature sensor attached to the coil will de-energize the unit. The sensor will re-energize the unit when the coil warms back up.
- **Low ambient lockout** – Locks out compressor when the sensor registers temperatures of 40° F and below to extend compressor life.
- **Random restart** – When power is turned on after a power outage, a built-in random restart (3 to 4 minutes) prevents all compressors from restarting simultaneously.
- **Compressor restart delay** – This delay ensures that system pressures are allowed to equalize before a compressor restart, which extends compressor life.
- **Fan delay** – A fan delay allows the evaporator blower to continue running for up to 45 seconds after the thermostat is satisfied. This feature maximizes cooling performance.
- **Low voltage fuse protection**

## FEATURES AND BENEFITS (CONT.)

- 2. Service Pullout** - Factory installed for service convenience and maintenance.
- 3. Adjustable fresh air (manual)** - To meet code requirements for fresh air introduction. When opened, the fresh air vent (see Figure 8) allows up to 50 CFM of outside air to be introduced into the equipment closet. The air then mixes with return air entering the closet through the return air grille.
- 4. Wall-mounted thermostat** - (See "accessories", P.11) The **Eco series** is easily controlled by a standard low voltage wall thermostat rather than complicated unit-mounted controls. Low voltage wires are "stubbed" out to the left side of the cabinet.
- 5. 40VA transformer**
- 6. Wall Sleeve** - (See Figures 5 and 6) Rear or side install wall sleeves are provided for installation during rough-in and, when ready, the unit simply slides into the sleeve and the ductwork and electrical is connected. The sleeve is a weight-bearing sleeve that supports the entire weight of the unit and provides a weather tight seal against wind and water infiltration. A 3/4" male NPT fitting is provided in the bottom of the sleeve for field connection to a condensate riser. Four wall sleeve depths are available to accommodate wall thickness from 5" to 20". Each sleeve includes a factory installed "weather guard" to cover the sleeve opening during construction.
- 7. Unique "Sleeve Drain" Condensate System** - (Also see Figure 4) A factory installed drain line connects the evaporator drain pan to a vertical pipe connection in the base pan. Evaporator condensate is delivered from the unit to a catch tray in the



"Standard Rear Install" sleeve shown

wall sleeve and exits the sleeve through the 3/4" male NPT fitting. This design allows the plumber to completely pipe the drain to a condensate riser during the rough-in stage, thus eliminating condensate connection problems usually encountered when trying to connect the HVAC drain to the riser after the HVAC unit is installed in the closet. This features also allows the unit to be

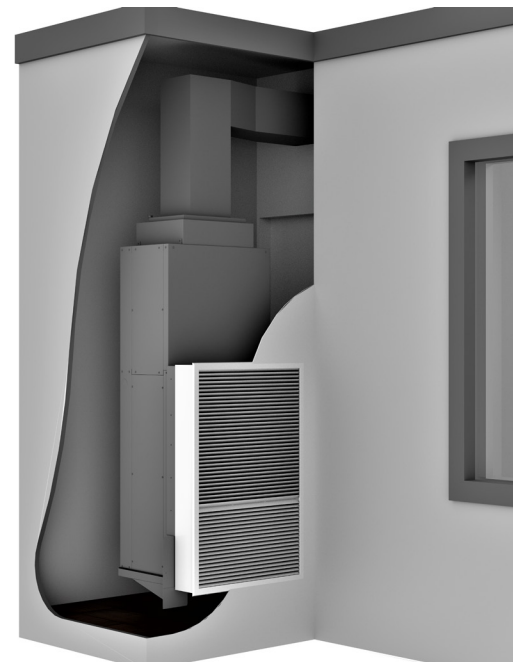
removed for service without disconnecting the condensate piping. This configuration does not require any additional closet space to make the drain connection, as do some competitive products.



**FIGURE 2**

SHOWN WITH OPTIONAL LOUVERED ACCESS PANEL (See P.11)

**NOTE:** A solid door or panel in front with a side wall return air grill will result in lower sound levels.

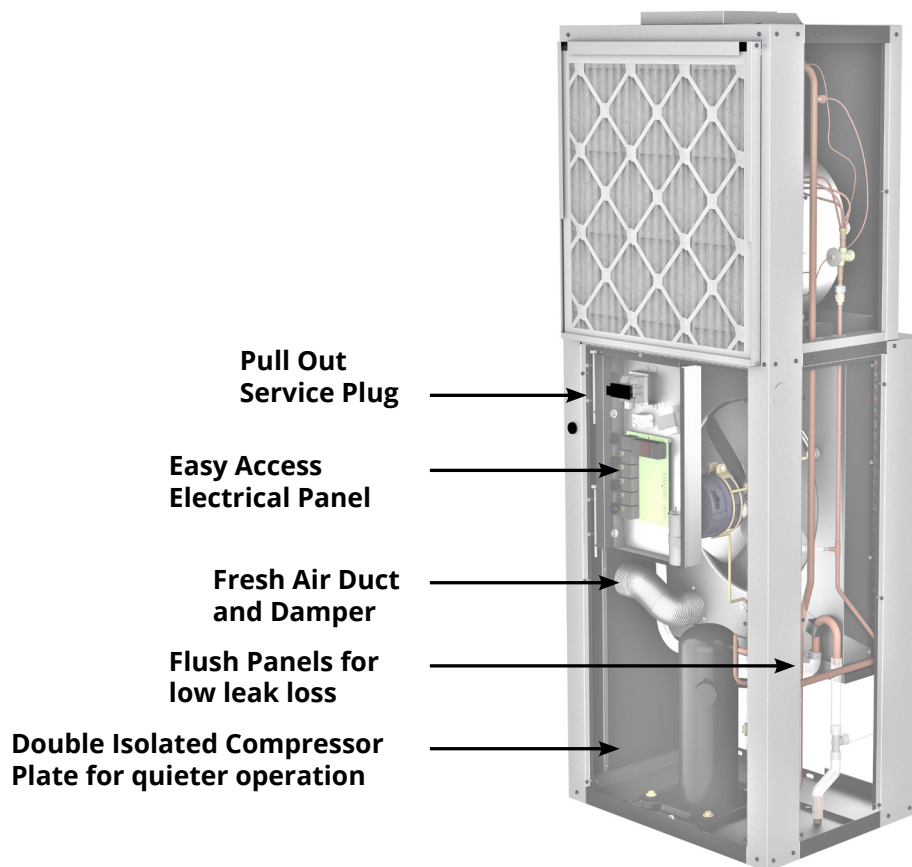


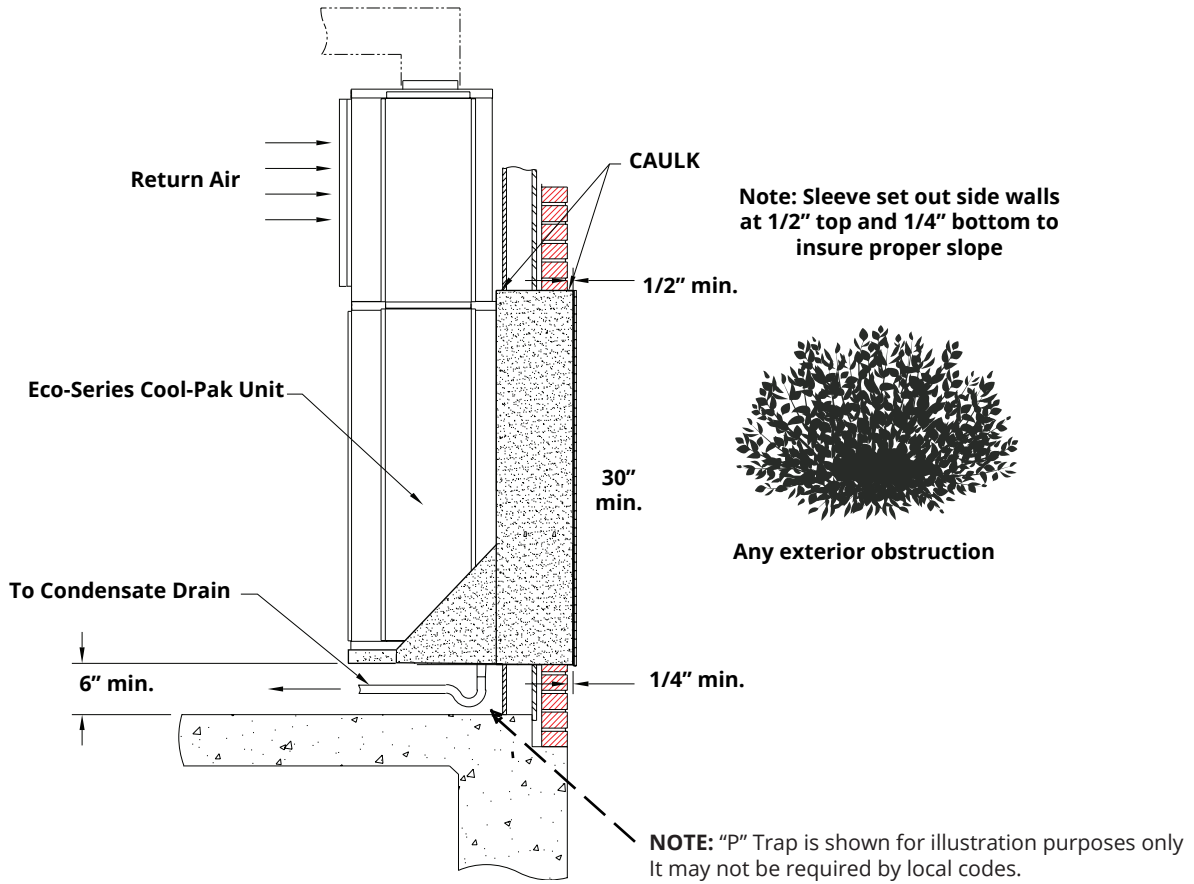
**FIGURE 3**



## FEATURES AND BENEFITS (CONT.)

8. **Secondary overflow:** If for any reason the primary condensate riser becomes clogged, water will fill the catch tray and then be diverted through the sleeve to the exterior of the building, rather than be allowed to overflow into the closet or living area. Rain water entering the sleeve is automatically diverted to the 3/4" sleeve drain.
9. **Ductable return air** – Return air can be ducted to the unit. However, most installations would not normally require ducted return air.
10. **New “Flush Style” Architectural Grille** – (See Figure 6) This new grille is an attractive extruded aluminum architectural grille that attaches to the outside face of the wall sleeve. The blades of this unique grille recess into the wall sleeve for a neat, “flush” appearance. Grilles are installed from the inside of the wall sleeve. Do not install the unit into the sleeve before installing the grille.
11. **Filter Brackets** – (See Figure 7) Filter Brackets and a throw away filter are shipped with each unit and are field installed over the unit’s evaporator coil.
12. **Insulation kit (#91K01-91K02)** - The interior of all units are lined with 1/2" fiberglass as standard. The 91K\*\* kit is designed to be used in any application where additional insulation is desired. The kit includes three sections of 5/8" foil faced ductboard insulation that are screwed together in the field and cover the three sides on the condenser section.





**FIGURE 4**  
Side View  
(with "Rear Install" Sleeve)

UNIT / SLEEVE DIMENSIONS					
Part Number		Fits Wall Thickness	A	B	C
Rear Install	Side Install				
9**-1B	9**-11B	5" - 8" wall	9"	17-1/2"	26"
9**-2B	9**-12B	8" - 12" wall	13"	17-1/2"	30"
9**-3B	9**-13B	12" - 15" wall	16"	17-1/2"	33"
9**-4B	9**-14B	15" - 20" wall	21"	17-1/2"	38"

\*\* = wall sleeve regular, large and large with block off see page 14

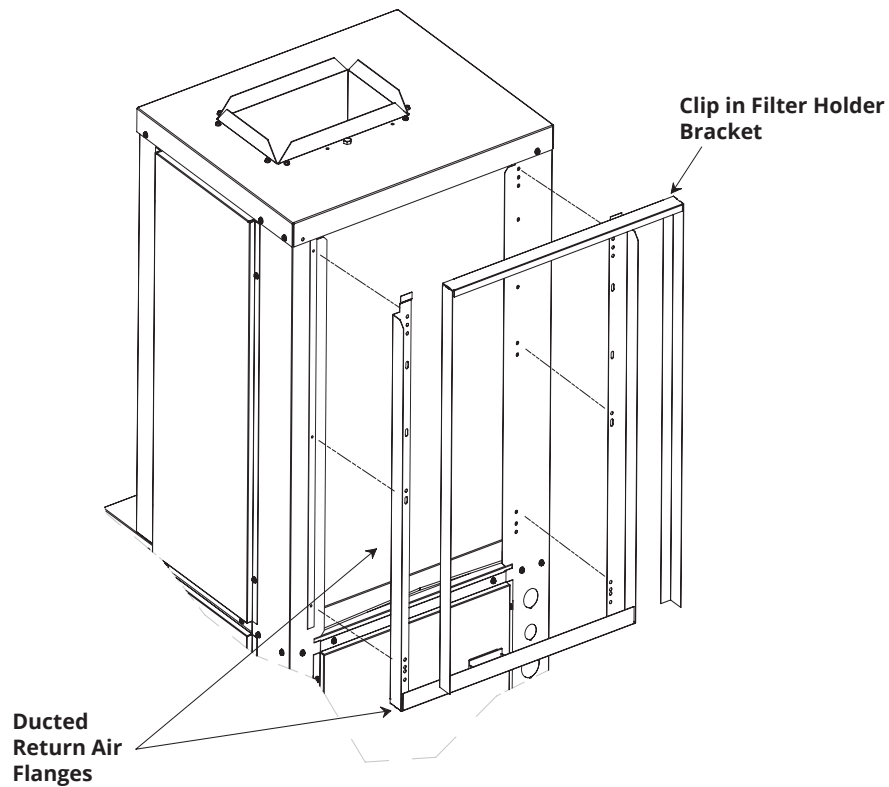


**FIGURE 5**  
Side install Sleeve

NOTE: Separate wall mounting bracket is shipped with "side install" wall sleeves.



**FIGURE 6**  
(Unit shown with "Rear Install" Sleeve)

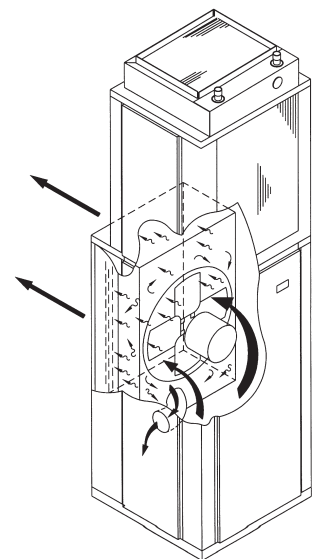


**FIGURE 7**  
Filter Bracket Detail

One end of a 3" aluminum vent pipe is connected to the condenser venturi and the other end is connected to the side of the cabinet. A mesh screen is installed inside the vent pipe and a metal plate on the side of the cabinet covers the opening of the vent pipe.

Up to 50 CFM of fresh air is introduced into the equipment closet by removing the metal cover plate. The fresh air then mixes with the return air and is then pulled through the evaporator coil and into the supply duct. The cover plate can be re-installed to partially close the fresh air opening if less than 50 CFM is desired.

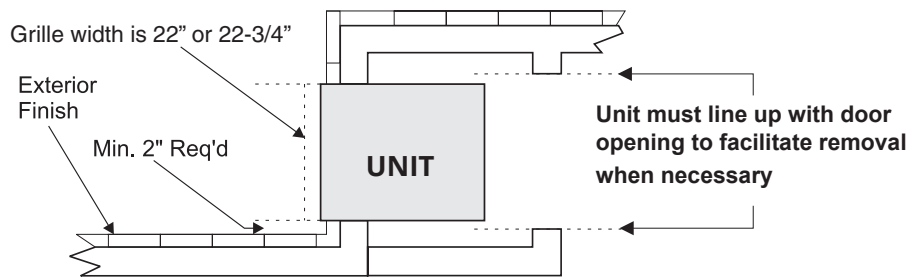
An external source of negative pressure (i.e. a bathroom fan) could be used to introduce more than 50 CFM of fresh air. Consult with factory for further details.



**FIGURE 8**

## Eco Series CLOSET DIMENSIONS

### Rear Installation Detail for Small Sleeve 21" Wide (9-18 only)



**NOTES:**

1. Sleeve rough-in opening is 44"(H) X 21-5/8"(W).
2. Bottom of opening should be approx. 6" above floor level.
3. Minimum 3" of clearance is required on all sides of the unit.
4. Note Hurricane Grill is 3/4" larger

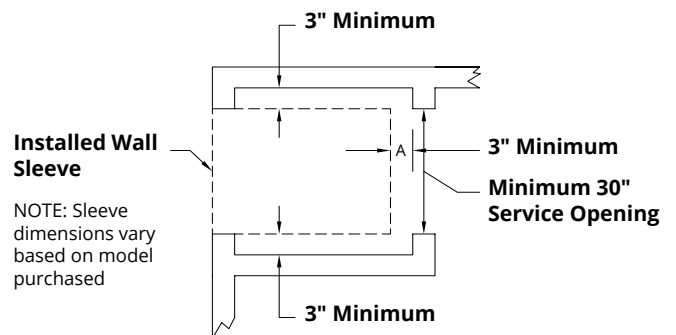
### Rear Installation Detail for Small Sleeve 21" Wide (9-18 only)

**INSTRUCTIONS:**

To find the minimum closet depth (dimension "C"), use the following method:

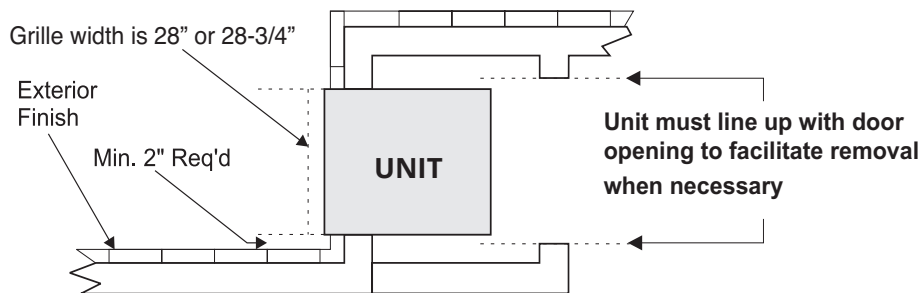
Determine dimension "A" which is the total finished wall thickness.

- For 5"-8" outside wall thickness, subtract "A" from 29".  
("C" = 29 - "A")
- For 8"-12" outside wall thickness, subtract "A" from 33".  
("C" = 33 - "A")
- For 12"-15" outside wall thickness, subtract "A" from 36".  
("C" = 36 - "A")



NOTE: Provide minimum clearances as shown for interior closet dimensions.

### Rear Installation Detail for Large Sleeve 27" Wide (24,30 Size or 9-18 with Blockoff)



**NOTES:**

1. Sleeve rough-in opening is 44"(H) X 27-5/8"(W).
2. Bottom of opening should be approx. 6" above floor level.
3. Minimum 3" of clearance is required on all sides of the unit.
4. Note Hurricane Grill is 3/4" larger

## Eco Series CLOSET DIMENSIONS (CONT.)

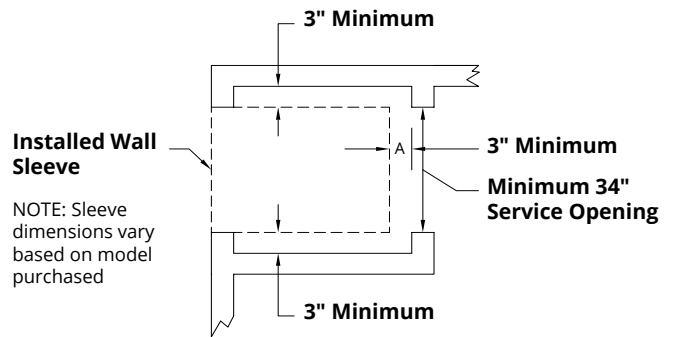
### Rear Installation Detail for Large Sleeve 27" Wide (24,30 size or 9-18 with Blockoff)

#### INSTRUCTIONS:

To find the minimum closet depth (dimension "C"), use the following method:

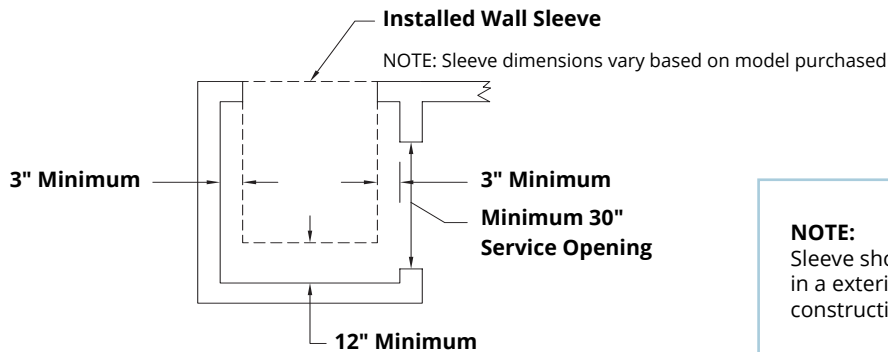
Determine dimension "A" which is the total finished wall thickness.

- For 5"-8" outside wall thickness, subtract "A" from 39".  
("C" = 39 - "A")
- For 8"-12" outside wall thickness, subtract "A" from 43".  
("C" = 43 - "A")
- For 12"-15" outside wall thickness, subtract "A" from 46".  
("C" = 46 - "A")



NOTE: Provide minimum clearances as shown for interior closet dimensions.

### Side Installation Detail for Small Sleeve 21" Wide (9-18 size only)



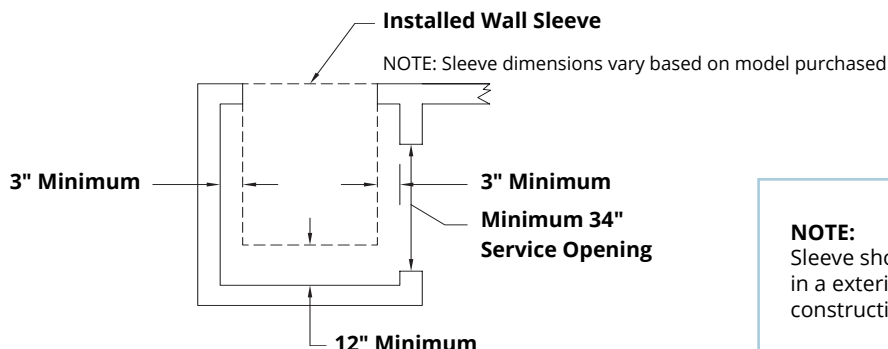
#### Notes:

1. Sleeve rough-in opening is 44"(H) X 21-5/8"(W).
2. Bottom of opening should be approx. 6" above floor level.
3. Minimum 3" of clearance is required on the sides of the unit and 12" clearance on the rear

#### NOTE:

Sleeve should be installed in a exterior wall prior to constructing the closet.

### Side Installation Detail for Large Sleeve 27" Wide (24 or 30 or 9-18 with Blockoff)



#### Notes:

1. Sleeve rough-in opening is 44"(H) X 27-5/8"(W).
2. Bottom of opening should be approx. 6" above floor level.
3. Minimum 3" of clearance is required on the sides of the unit and 12" clearance on the rear of the unit .

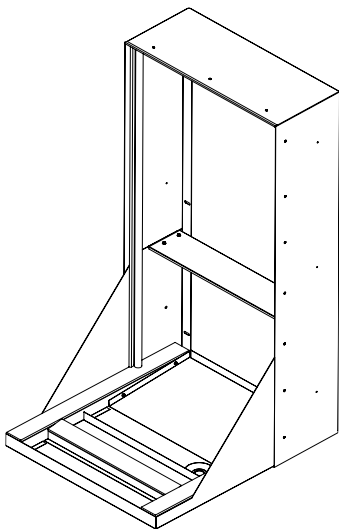
#### NOTE:

Sleeve should be installed in a exterior wall prior to constructing the closet.

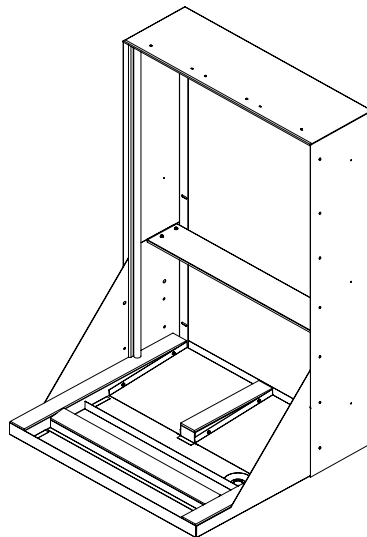
ACCESSORIES (sleeves, louver, and thermostat required for each installation)								
ACCESSORY	DESCRIPTION	DIMENSIONS (HXWXD)	PART NUMBERS				SHIP WT. (EA)	
			STANDARD SLEEVES		HURRICANE (5)		REAR	SIDE
			REAR INSTALL (non-Hurricane)	SIDE INSTALL (3) (non-Hurricane)	REAR INSTALL	SIDE INSTALL	REAR	SIDE
<b>STANDARD WALL SLEEVES SIZE 9-18 (2)</b>	For 5" - 8" thick walls	43-3/4 x 21-3/8 x 26	<b>936-1B</b>	<b>936-11B</b>	<b>936-1H</b>	<b>936-11H</b>	59 (4)	64 (4)
	For 8" - 12" thick walls	43-3/4 x 21-3/8 x 30	<b>936-2B</b>	<b>936-12B</b>	<b>936-2H</b>	<b>936-12H</b>	63 (4)	68 (4)
	For 12" - 15" thick walls	43-3/4 x 21-3/8 x 33	<b>936-3B</b>	<b>936-13B</b>	<b>936-3H</b>	<b>936-13H</b>	68 (4)	73 (4)
	For 15" - 20" thick walls	43-3/4 x 21-3/8 x 38	<b>936-4B</b>	<b>936-14B</b>	<b>936-4H</b>	<b>936-14H</b>	75 (4)	80 (4)
			REAR INSTALL (non-Hurricane)	SIDE INSTALL (3) (non-Hurricane)	REAR INSTALL	SIDE INSTALL	REAR	SIDE
<b>LARGE WALL SLEEVES SIZE 24 &amp; 30 (2)</b>	For 5" - 8" thick walls	43-3/4 x 27-3/8 x 26	<b>985-1B</b>	<b>985-11B</b>	<b>985-1H</b>	<b>985-11H</b>	63 (4)	68 (4)
	For 8" - 12" thick walls	43-3/4 x 27-3/8 x 30	<b>985-2B</b>	<b>985-12B</b>	<b>985-2H</b>	<b>985-12H</b>	68 (4)	73 (4)
	For 12" - 15" thick walls	43-3/4 x 27-3/8 x 33	<b>985-3B</b>	<b>985-13B</b>	<b>985-3H</b>	<b>985-13H</b>	75 (4)	80 (4)
	For 15" - 20" thick walls	43-3/4 x 27-3/8 x 38	<b>985-4B</b>	<b>985-14B</b>	<b>985-4H</b>	<b>985-14H</b>	79 (4)	84 (4)
			REAR INSTALL (non-Hurricane)	SIDE INSTALL (3) (non-Hurricane)	REAR INSTALL	SIDE INSTALL	REAR	SIDE
<b>LARGE WALL SLEEVES WITH BLOCK OFF SIZE 9-18 (2)</b>	For 5" - 8" thick walls	43-3/4 x 27-3/8 x 26	<b>986-1B</b>	<b>986-11B</b>	<b>986-1H</b>	<b>986-11H</b>	63 (4)	68 (4)
	For 8" - 12" thick walls	43-3/4 x 27-3/8 x 30	<b>986-2B</b>	<b>986-12B</b>	<b>986-2H</b>	<b>986-12H</b>	68 (4)	73 (4)
	For 12" - 15" thick walls	43-3/4 x 27-3/8 x 33	<b>986-3B</b>	<b>986-13B</b>	<b>986-3H</b>	<b>986-13H</b>	75 (4)	80 (4)
	For 15" - 20" thick walls	43-3/4 x 27-3/8 x 38	<b>986-4B</b>	<b>986-14B</b>	<b>986-4H</b>	<b>986-14H</b>	79 (4)	84 (4)
			REAR INSTALL (non-Hurricane)	SIDE INSTALL (3) (non-Hurricane)	REAR INSTALL	SIDE INSTALL	REAR	SIDE
<b>ARCHITECTURAL GRILLES STANDARD</b>			Custom Painted	For Field Painting	Anodized Aluminum			
	Standard	44 x 22	<b>G205S (1)</b>	<b>G205PPA</b>	<b>G205A</b>	---	12	
	Hurricane	45-5/8 x 22-3/4	<b>G215S (1)</b>	<b>G215P</b>	<b>G215A</b>	---	22	
<b>ARCHITECTURAL GRILLES LARGE</b>			Custom Painted	For Field Painting	Anodized Aluminum			
	Standard	44 x 28	<b>G216S (1)</b>	<b>G216PPA</b>	<b>G216A</b>	---	18	
	Hurricane	45-5/8 x 28-3/4	<b>G217S (1)</b>	<b>G217P</b>	<b>G217A</b>	---	28	

**NOTES:**

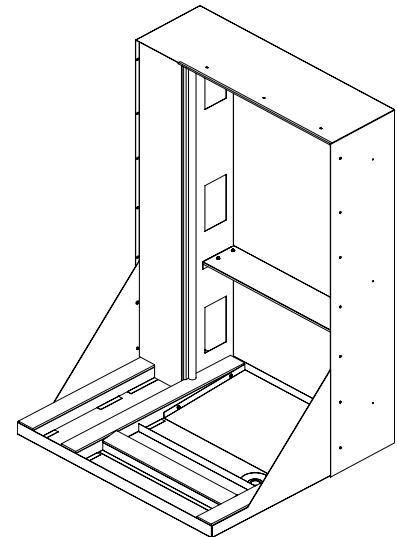
- (1) "S" indicates custom color to be provided by customer. Minimum order quantity is 20 per color.
- (2) Rear install application provides better access to the unit and is recommended over "side install" wherever possible.
- (3) Side install application requires different closet size and configuration. (See P.9) Contact factory for further information.
- (4) All wall sleeves are shipped two (2) per carton.
- (5) Hurricane sleeves require special grille (see "Architectural Grilles" above)  
**(contact the factory for information about hurricane sleeves and grilles)**







**Standard Sleeve for 9,12 and 18 Eco-Series Cool-Pak**



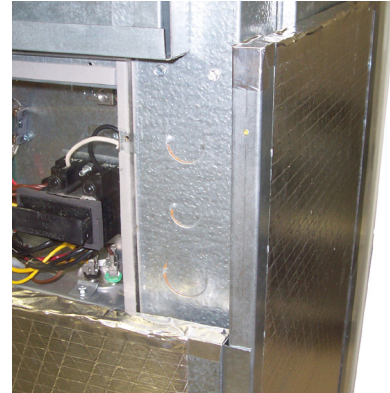
**Standard Sleeve for 24 or 30 Eco-Series Cool-Pak (large)**



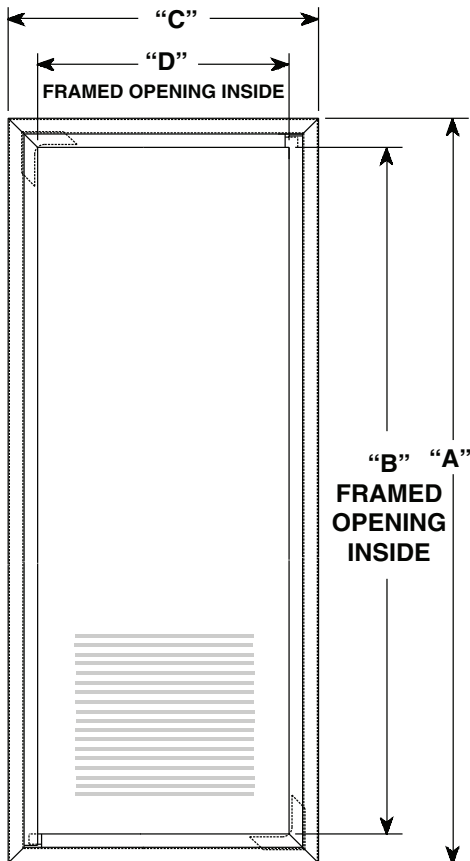
**Large Sleeve for 9,12 and 18 Eco-Series Cool-Pak  
If larger grill is needed to match exterior**

<b>THERMOSTATS</b>	<b>Straight Cool (24V)</b> Digital cool - off - heat, auto - on w/limits-(6-wire)	4 x 5 (Horizontal)	<b>T1020NC</b>	
	<b>Heat Pump (24V)</b> Digital w/emergency heat cool - off - heat, auto - on w/limits-(6-wire)	4 x 5 (Horizontal)	<b>T1220NC</b>	
	<b>Programmable (5-2)</b> St. Cool/Ht. Pump (24V) cool-off-heat, auto-on w/em. Ht. & limits (6-wire)	4 x 5 (Horizontal)	<b>T2220NC</b>	
	<b>Straight Cool or Heat Pump (24V)</b> Digital Occupancy Sensor	4.3 x 5.7 (Horizontal)	<b>T8532</b>	

OPTIONAL ACCESSORIES (field installed)					
COMPONENT	DESCRIPTION	DIMENSIONS (H X W)		PART NUMBER	SHIP WT.
		FRAME	OPENING		
ACCESS / RETURN AIR PANEL (3)(4)	LOUVERED (1)	87 X 31	84 X 28	<b>931-11</b>	55
	NON-LOUVERED (2)	87 X 31	84 X 28	<b>931-12</b>	
	LOUVERED (1)	82 X 31	79 X 28	<b>931-13</b>	55
	NON-LOUVERED (2)	82 X 31	79 X 28	<b>931-14</b>	
ACCESS / RETURN AIR PANEL (3)(4)	LOUVERED (1)	87 X 37	84 X 34	<b>931-15</b>	55
	NON-LOUVERED (2)	87 X 37	84 X 34	<b>931-16</b>	
	LOUVERED (1)	82 X 37	79 X 34	<b>931-17</b>	55
	NON-LOUVERED (2)	82 X 37	79 X 34	<b>931-18</b>	
9-18 INSULATION KIT	5/8" DUCTBOARD	N/A		<b>91K01</b>	---
24 INSULATION KIT				<b>91K02</b>	---



**91K01 OR 91K02**



	PART NO.	"A"	"B"	"C"	"D"
	<b>931-11(12)</b>	<b>87.00</b>	<b>84.00</b>	<b>31.00</b>	<b>28.00</b>
	<b>931-13(14)</b>	<b>82.00</b>	<b>79.00</b>	<b>31.00</b>	<b>28.00</b>
*	<b>931-15(16)</b>	<b>87.00</b>	<b>84.00</b>	<b>37.00</b>	<b>34.00</b>
*	<b>931-17(18)</b>	<b>82.00</b>	<b>79.00</b>	<b>37.00</b>	<b>34.00</b>

\* For rear installation use with size 24 or 30

**NOTE:** A solid door or panel with a side wall return air grille will result in lower sound levels.

**NOTES:**

- (1) Includes 18 x 24 x 1 or 20 x 24 x 1 filter.
- (2) Requires external return air grille and unit mount filter.
- (3) Both panels are insulated for sound reduction and have tamperproof screws.
- (4) Panels are shipped ten per carton.

# Nomenclature

